

Quick Operation Guide

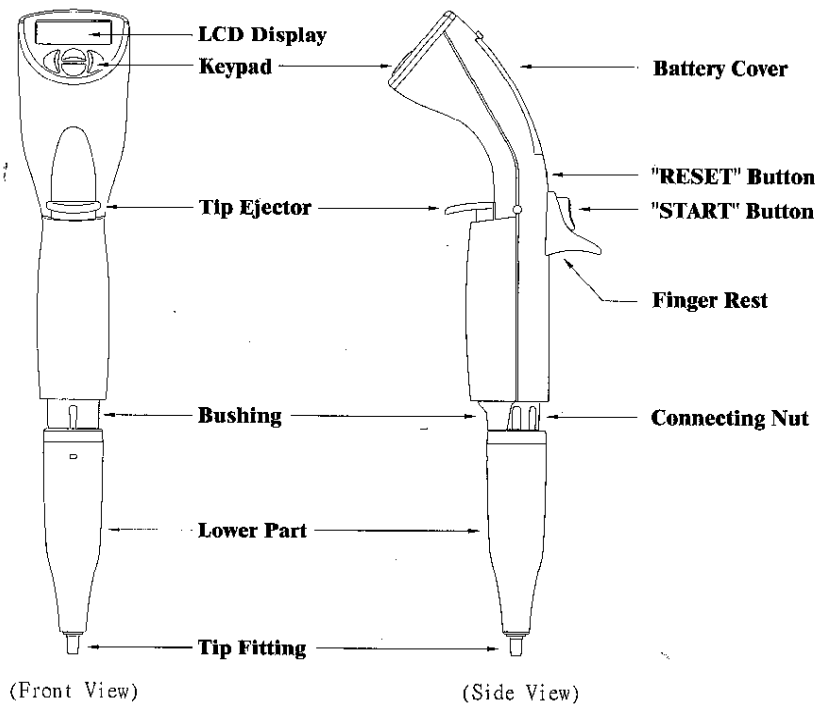


Figure 1 : Overview

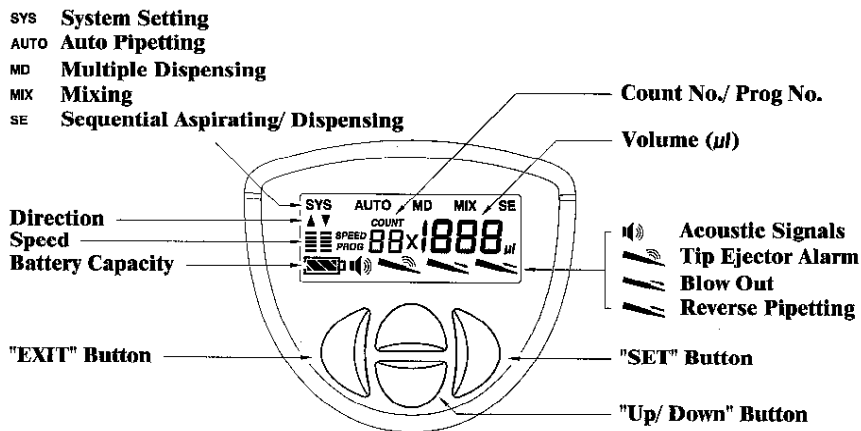


Figure 2 : Front Panel Overview

Function Mode and Examples

AUTO (Auto Pipetting)

Example 1: Pipette 100 µl

Steps:

(100 µl)

(Aspirate) (Dispense)

MD (Multiple Dispensing)

Example 2: Multiple dispense 40 µl x 3 times = 120 µl

Steps:

COUNT
01

(40 µl)

(40 µl)

(Aspirate: 120 µl)

(Dispense: 40 µl) (Dispense: 40 µl) (Dispense: 40 µl)

MIX (Mixing)

Example 3: Mix 100 µl sample 5 times

Steps:

COUNT
01

(Mix : 100 µl)

(05)

(Aspirate: 120 µl)

SE (Sequential Aspirating/ Dispensing)

Example 4: Sequential aspirate Sample A: 20 µl, Sample B: 30 µl, Sample C: 40 µl and dispense 130 µl (20 µl air gap between samples).

Steps:

(20 µl)

(30 µl)

(40 µl)

(Sample A: 20 µl) (Air gap: 20 µl) (Sample B: 30 µl)

(Air gap: 20 µl) (Sample C: 40 µl) (Dispense: 130 µl)

SYS (System Settings)

Example 5: Switch off acoustic signals

Steps:

- Note:**
1. , , , : press "SET", "Up/Down", "EXIT" and "START" buttons.
 2. : "(Mix: 100 µl)" means action and setting volumes.
(Mix: 100 µl)
 3. The rest icons will appear on LCD display after previous action.